

# 2017

## High School Career Forum

Grand Forks AFB, ND



School Liaison Office  
575 Holzapple St. Bldg. 207  
Phone: 701-747-4484  
Email: [kelly.painter@us.af.mil](mailto:kelly.painter@us.af.mil)

# Air Traffic Control

**Name of Career Field:** Air Traffic Control (USAF)

**Description:** Air Traffic Controllers issues ATC clearances, instructions and advisories to aircraft operating under instrument and visual flight rules. Controllers use air and ground communications, aural, visual and radar system to control and expedite air traffic. They also use flight plan data, position reports, visual observations and radar-displayed data to determine aircraft positions. Advisories also are given to pilots and other agencies concerning weather conditions, traffic flow control measures, wake turbulence and additional services. They provide flight assistance and emergency services to pilots. Controllers are ultimately responsible for the safety of passengers from taxi to takeoff, through the air and back safely on the ground.

**Education Requirements:** ASVAB- General 72 & Mechanical 55

**Certification Requirements:** None

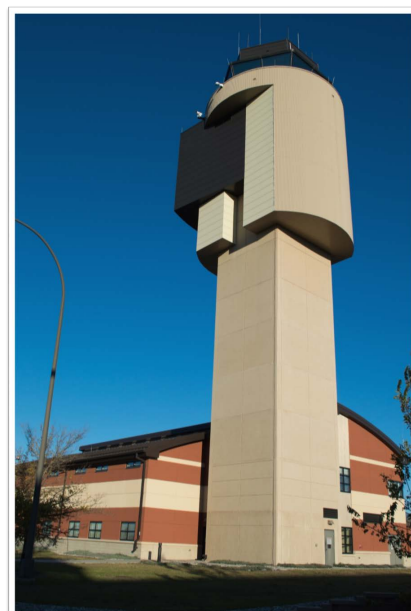
**Experience Recommended:** No prior experience is required to enlist into the Air Traffic Controller career field. Entry-level applicants not joining the Air Force, must complete required training courses at the FAA Academy in Oklahoma City and gain on-the-job experience before becoming certified professional controllers. For those that have completed 52 weeks of on-the-job Air Traffic Control experience while serving in the Military, may be exempt from the minimum training requirements when applying with the FAA.

**Jobs related to this field:** Air Traffic Control Specialists

**Salary Range:** The median annual wage for Air Traffic Control Specialists was \$127,805 in 2016.

**Typical Work Schedule:** Many facilities operate continuously, and controllers may rotate between day, evening, and night shifts, along with weekends and holidays

**Will provide Job Shadowing:** **Yes** **No**  
**Military Only** **Civilian Only** **Both**





## Career Fair Agency Overview Antiterrorism Office

**Name of Career Field:** Security Forces, Antiterrorism

**Description:** Security Forces is a highly diverse career field, as well as the largest career field in the Air Force. These world class Airmen perform a multitude of tasks ranging from security of the nation's nuclear arsenal to fly-away missions with various aircraft. Antiterrorism is a very small portion of the Security Forces Mission; however, it is a vitally important and reaches far beyond Security Forces to every career field in the Air Force.

**Education Requirements:** High School Graduate or GED Equivalent

**Certification Requirements:** Once you enter Security Forces you will attend the Security Forces Academy at Lackland AFB, Texas. This is a 13 week course where members are trained in the warfighting mission at forward locations and the security at home station locations. After time spent in this career field Security Forces members can apply to become a member of the Antiterrorism team. Once selected for this opportunity you will receive two weeks of Antiterrorism Level II training, plus various other training opportunities.

**Experience Recommended:** None

**Jobs related to this field:** Air Force Office of Special Investigations (AFOSI), Intelligence, Security Forces Investigations, and Physical Security.

**Salary Range:** Upon entering the Air Force salary will be approximately \$22,668 - \$26,000 a year, plus the possibility of housing and meal allowances.

**Typical Work Schedule:** Monday – Friday, on call for major incidents 24/7/365

**Military Only**  **Civilian Only**  **Both**

**Will provide Job Shadowing:** Yes  **No**  (see comment below)

Unfortunately, nearly all of the work we do is "Classified" or "For Official Use Only". Therefore, job shadowing would not show the trainee very much.

# Bioenvironmental Engineer / Technician

**Name of Career Field:** Bioenvironmental Engineering (BE)



**Description:** The Air Force goes to extraordinary measures to protect our Airmen from environmental hazards and infractions - applying engineering and scientific principles, Bioenvironmental Engineers identify and evaluate potential dangers and develop programs to prevent illness and injury. With an emphasis on discovering problems before they occur, these specialists ensure the health and safety of Airmen and their families. Life in the Air Force takes our Airmen to a variety of facilities and environments

all over the world. It's the job of Bioenvironmental Engineering specialists to focus on reducing health hazards in the workplace and the surrounding areas. For a lot of Airmen their job is complicated by the proximity to everything from munitions to radioactive materials, these experts utilize their skills to ensure healthful working conditions and that the environment is not adversely affected by Air Force activities. BE performs, directs, and manages military Occupational and Environmental Health (OEH) risk management. BE Engineers and Technicians anticipate, recognize, evaluate, and control exposures to Chemical, Biological, Radiological and Nuclear (CBRN) threats as well as other physical threats such as thermal stress and noise; performing a variety of daily duties, including health-risk assessments, CBRN identification and control as well as modernizing health facilities.

## Education Requirements:

- Engineer: Bachelor of Science in engineering from an ABET-accredited institution
- Technician: High school diploma or GED with 15 college credits (mandatory completion of Algebra I, chemistry, biology and English composition)



**Certification Requirements & Experience Recommended:** N/A – must pass all requirements/testing in advanced technical school designated for this career field after basic training

**Jobs related to this field:** Exposure Scientist, Industrial Hygienist, Public Health/Safety Professional and Emergency Management



**Salary Range:** Active duty military salaries vary by rank and time in service. The average salary for bioenvironmental engineering technician jobs is \$44K while the average salary for bioenvironmental engineer jobs is \$63K.

**Typical Work Schedule:** Monday – Friday 0730 - 1630

**Will provide Job Shadowing:** Yes  No

**Military Only**  **Civilian Only**  **Both**

# Clinical Psychology

Name of Career Field: Clinical Psychology

Description: A Clinical Psychologist is a mental health provider with training in therapy, psychological testing, and consultation. We look at how people think, feel, and behave and how to improve functioning of individuals and groups.

Education Requirements: Doctorate (PhD or PsyD)

Certification Requirements: Licensure varies slightly state-by-state. Each state requires the applicant to complete a Doctorate in Clinical or Counseling Psychology, complete an approved internship, and pass a national licensure exam.

Experience Recommended: Graduate school gives many opportunities for experience, no specific experience required prior to beginning graduate school.

Jobs related to this field: Clinical Psychology, Neuropsychology, Clinical Health Psychology, Child and Adolescent Psychology, Aviation/Safety Psychology, Industrial/Organizational Psychology, Social Psychology, Research Psychologist, Forensic Psychology

Salary Range: Varies widely depending on setting. Psychologists are employed in the Armed Forces, Veteran's Administration, prison system, in hospitals, Primary Care clinics, and private practice. Type of work varies substantially as do hours, compensation packages, and salaries.

Typical Work Schedule: This also is variable across practice setting.

Will provide Job Shadowing: Yes                      No

Military Only       Civilian Only       Both



# Cyber Security

**Name of Career Field:** 3D0X3 Cyber Security

**Description:** Conducts Information Assurance risk and vulnerability assessments; ensures enterprise Information Assurance policies fully support all legal and regulatory requirements and ensures Information Assurance policies are applied in new and existing Information Systems resources. Identifies Information Assurance weaknesses and provides recommendations for improvement. Monitors enterprise Information Assurance policy compliance and provides recommendations for effective implementation of Information Systems security controls.

Evaluates and assists information system activities. Makes periodic evaluation and assistance visits, notes discrepancies, and recommends corrective actions. Audits and enforces the compliance of information assurance procedures and investigates security-related incidents. Assists in conducting information system forensic investigations. Manages the information assurance program and monitors emerging security technologies and industry best practices.

Performs or supervises detection and protection activities using information assurance and information assurance-enabled tools and provides real-time intrusion detection and firewall protection for all information system resources. Responsible for information assurance oversight or management of national security systems during all phases of the information system life cycles. Ensures Confidentiality, Integrity, and Availability of information system resources.

## **Education Requirements:**

Military: High school Diploma

Civilian: BS in Computer Science or Information Systems/Technology

## **Certification Requirements:**

Military: Comptia Security +

Civilian: Job specific however higher management positions usually require Certified Information Systems Security Professional (CISSP). Some industries have legal standards such as financial institutions or hospitals which require industry specific certifications.

## **Experience Recommended:**

Military: Entry Level Position no experience required

Civilian: Usually 2-3 Years system administration experience before being hired into a security position.

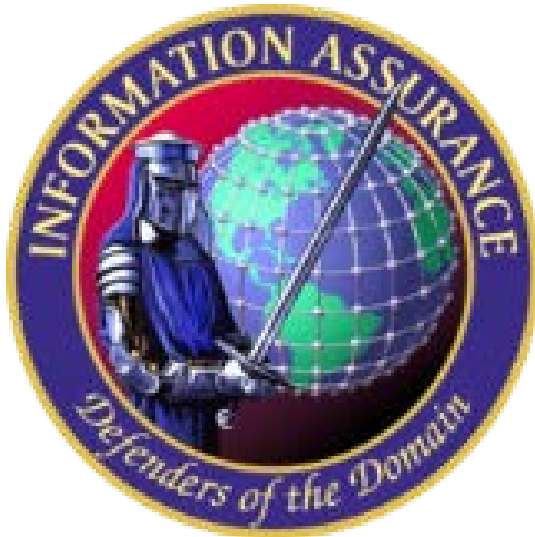
**Jobs related to this field:**

Information Security Analysts, Information Security Manager, Firewall/IDS Intrusion Analysts, Penetration Tester, Chief Information Security Officer

**Salary Range:** Civilian median wages (2012) \$41.43 hourly, \$86,170 annual

**Typical Work Hours:** Office Hours 730-430

**Military Only**  **Civilian Only**  **Both**



## Dentistry

**Name of Career Field:** Dentistry and Dental Hygiene

**Description:** Diagnose and treat problems with patients' teeth, gums, and related parts of the mouth.

**Education Requirements:**

Dentist: Bachelor of Science (4 year degree) and Doctor of Dental Surgery (4 year degree).

Specialists require additional education (2-4 years)

Dental Hygienist: 2 year Associate of Applied Science degree

**Certification Requirements:** Regional/State boards and licensure exams

**Experience Recommended:** Artistic, good at math and science, good hand eye coordination

**Jobs related to this field:** Dental Assistant, Orthodontist, Oral Surgeon

**Average Salary:** Dentist: \$158,000; Oral Surgeon: \$234,000; Orthodontist: \$187,000;

Dental Hygienist: \$70,000; Dental Assistant: \$36,000

**Typical Work Schedule:** Military: M-F: 0730-1700 ; Civilian: M-Th: 0800-1700

**Will provide Job Shadowing:** Yes  No

**Military Only**  **Civilian Only**  **Both**





# Emergency Management

**Name of Career Field:** Emergency Management

**Description:** Conducts research and assists in developing disaster preparedness plans, including measures to minimize casualties and damage from natural disasters, major accidents, wartime operations, and military operations other than war. Maintains and inspects nuclear, biological, chemical (NBC), and conventional protective clothing and equipment. Conducts NBC and conventional detection, warning, and reporting activities. Maintains and inspects equipment, conducts training, and prepares for peacetime response to use of Weapons of Mass Destruction(WMD). Monitors prime base engineer emergency force (Prime BEEF), air base operability, hazardous materials emergency response, and disaster preparedness programs, and conducts and schedules associated training.

**Education Requirements:** High School diploma, GED with 15 college credits, or GED.

**Certification Requirements:** Must be able to attain a security clearance of Secret.

**Experience Recommended:** Public speaking, non-claustrophobic, and normal color vision.

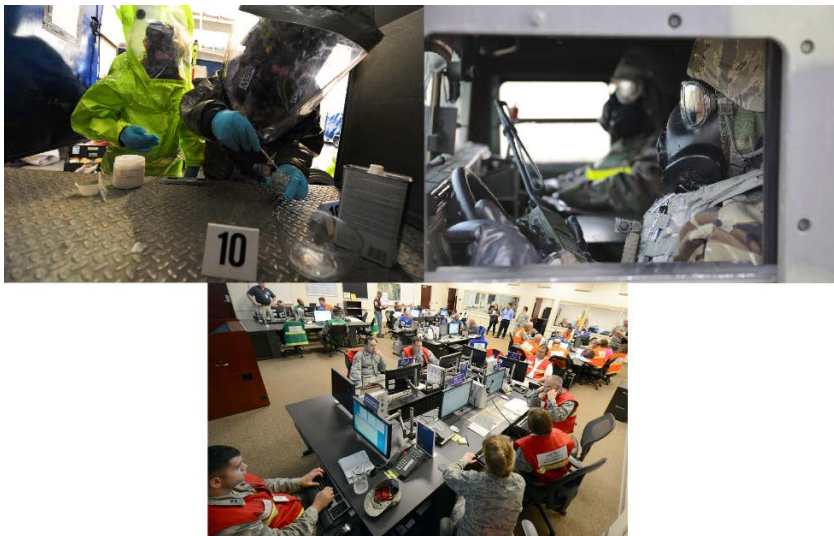
**Jobs related to this field:** DHS, FEMA, Firefighter, HAZMAT responder,

**Salary Range:** \$19K - \$81K, not inclusive of allowances, bonuses and continuing educational assistance.

**Typical Work Schedule:** 40 hrs/wk. May require extended and weekend hours due response or contingency deployment.

**Will provide Job Shadowing:** Yes  No

**Military Only**  **Civilian Only**  **Both**



# Engineering

**Name of Career Field:** Engineering (Mechanical, Electrical, Civil, Petroleum, and more)

**Description:** The Engineering career field encompasses a broad range of everyday items, from hand-held electronic devices to buildings, roads, and structures. Engineers use knowledge and/or ingenuity to solve technical problems. Engineers form the link between scientific knowledge and the application to our needs and quality of life. In the U.S., Engineers are the third most-respected professionals, after doctors and pharmacists.

**Education Requirements:** Engineering requires a 4-year Bachelor of Science degree.

**Certification Requirements:** Professional Registration is required for Engineers whose designs impact public safety. For instance, Engineers that design bridges, heating and cooling systems, and building structures need to pass a proficiency test that demonstrates their knowledge of Engineering principles. Ethics are very important for Professional Engineers; the registration is a sign of their commitment to public safety.

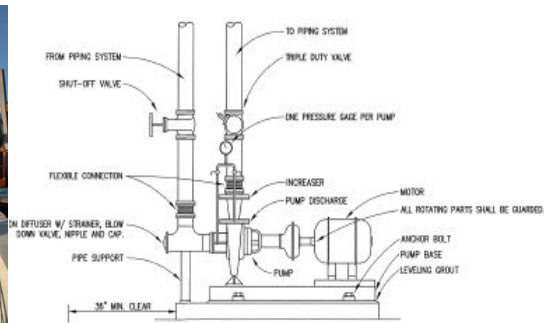
**Experience Recommended:** Internships during the college years will help a young Engineer get a job after graduation. In many instances, companies will hire Engineers who interned with them during the junior and senior years of college.

**Jobs related to this field:** Land surveyors, designers at Engineering firms who design buildings, automotive engineering, entrepreneurs, petroleum engineering, software engineering

**Salary Range:** \$50,000 - \$100,000+ - the average salary is \$80,000. Generally, higher salaries are paid for positions that require more responsibility or management. The average salary is \$63,000.

**Typical Work Schedule:** 40-50 hours/week, Monday - Friday

**Military Only**  **Civilian Only**  **Both**



# Fire Emergency Services

**Name of Career Field:** Fire Emergency Services

**Description:** Upon entry in this career field, you will be trained at the basic level to handle a wide spectrum of emergencies ranging from medical, structural and aircraft emergencies to hazardous material emergencies involving Weapons of Mass Destruction (WMD). Through the Fire Emergency Service career path, you will become skilled technicians of all facets pertaining to life safety, property conservation, and environmental protection. Your ability to think soundly and quickly under intense situation can save lives and property, which is a very rewarding feeling at the end of the day.

**Education Requirements:** High School Graduate or GED Equivalent

**Certification Requirements:** **NONE** – You will go the DOD Fire Academy at Goodfellow AFB, Texas. The course is 68 days long where you will attain certifications in First Responder, Firefighter I & II, Airport firefighting, and Hazardous Material Awareness, earning a total of 23 accredited college hours through the Community College of the Air Force (CCAF).

**Experience Recommended:** None

**Salary Range:** Will enter Air Force as an E-1 – E-3 Pay Grade. Salary will be approx. \$23,221 - \$26,584/yr. for the first 2 years plus a housing allowance if you qualify.

**Typical Work Schedule:** 24 hours on/24 hours off with an extra day off every two weeks which comes to 6 days of work every two weeks.

**Military Only**  **Civilian Only**  **Both**

- Both military and DOD Civilians work together



# Health Promotions

**Name of Career Field:** Health Promotion Coordinator

**Description:** The primary purpose of this position is to promote healthy lifestyles in Airmen and the beneficiary population. The Health Promotion Coordinator is the principal action officer to the installation commander and Military Treatment Facility (MTF) commander to promote positive health outcomes among Airmen in support of Comprehensive Airman Fitness. The Health Promotion Coordinator facilitates individual and organizational change to make healthy living the easy choice of preference primarily through policy, systems, and environmental strategies.

My background is in Kinesiology and Dietetics. Therefore, in addition to the basics of this position, I also teach Running Clinics, Fitness Improvement Classes, and Weight Loss Programs. My major focus areas involve programming involving healthy eating, physical fitness and tobacco cessation.

**Education Requirements:** Must have a minimum of a Bachelor's degree from an accredited institution in Health Education, Health Promotion, Public Health, Community Development, or related field. A Master's degree in these concentrations is highly desired

**Certification Requirements:** Current certification in one of the following is highly desirable at the time of appointment: A) Certified Health Education Specialist (CHES) by the National Commission for Health Education Credentialing (NCHEC); B) Certified in Public Health (CPH) by the National Board of Public Health Examiners; or C) Certified Worksite Wellness Specialist (CWWS) by the National Wellness Institute.

**Experience Recommended:** Minimum of three years of work experience in promoting healthy populations in a military, public health, or workplace setting is highly desirable.

**Jobs related to this field:** Exercise Physiologist, Registered Dietitian, Nurse, Wellness Coach

**Salary Range:** GS-11

**Typical Work Schedule:** Monday-Friday

**Will provide Job Shadowing:** Yes  No

**Military Only**  **Civilian Only**  **Both**



# Health Service Administration

**Name of Career Field:** Health Service Administration

**Description:** Professional health program managers, healthcare administrators and executives who play a critical role operating, leading and managing one of the nation's largest, most diverse healthcare systems.

**Education Requirements:**

4A0 - High school diploma, ASVAB >G40

MSC - Qualifying Degree, GRE > 800 / before 1 Aug 11, GRE > 286 / after 1 Aug 11, GMAT > 400

**Certification Requirements:**

4A0 - No requirement

MSC - Require board certification for Lt Col Board

**Experience Recommended:**

4A0 - No requirement

MSC - Not required, but definitely a plus for the application package

**Jobs related to this field:** All the administrative functions in medical facilities

**Salary Range:**

4A0 - Minimum \$18,000- entry level, \$72,000 E-9 w/ 20 years experiences + special pays, allowances

MSC - Median Salary \$114,000 experienced, Top Pay \$207,000

**Typical Work Schedule:** Medical facility schedule, normally 0730-1630

**Will provide Job Shadowing:** Yes  No

**Military Only**  **Civilian Only**  **Both**

\*Case by case based



## Mental Health Technician

Name of Career Field: Mental Health Technician 4C0X1

Description: Mental Health Technicians will work under the license of Psychologists, Social Workers and other mental health professionals in both patient care and administrative clinical procedure to support both home and overseas airman.

Education Requirements: High School

Certification Requirements: Military Education (Tech School)

Experience Recommended: None Required

Jobs related to this field: Social Worker, Mental Health Nurse, Counselor

Salary Range: Initial: 18-38K/Y (varies by age, time in service, location and dependents)

Typical Work Schedule: 0730-1630 Mon-Fri (varies by location)

Will provide Job Shadowing: Yes  No

Military Only  Civilian Only  Both



## Career Fair Agency Overview

Name of Career Field: Nursing



**Description:** Nursing is the protection, promotion, and optimization of health, prevention of illness and injury, alleviation of suffering, and advocacy in the care of individuals, families, and communities. Nurses often specialize into diverse settings such as: operating room, critical care, outpatient and specialty clinics, forensic nursing, and flight nursing. Nurses may also choose to continue their education to work in an advanced practice area such as: nurse practitioner, nurse midwife, clinical nurse specialist, or nurse anesthetist.

**Education Requirements:** Bachelor of Science in Nursing (BS/BSN) prepares graduates to engage in professional nursing practice across health care settings. Master's Degree (MSN) programs prepare nurses to assume roles as clinical nurse specialist, nurse executive, and nurse educator. Doctor of Nursing Practice (DNP) programs prepare nurses for advanced practice fields such as nurse practitioner and nurse anesthetist.

**Certification Requirements:** Graduates of an accredited school of nursing must pass the NCLEX exam to be licensed as a registered nurse. Advanced practice nurses must pass a certification exam upon completion of their graduate studies to be licensed to an advanced practice registered nurse.

**Experience Recommended:** High school graduation for acceptance into undergraduate nursing program. Most graduate schools require at least one year of nursing practice prior to application for graduate studies.

**Jobs related to this field:** Critical care nurse, flight nurse, clinical nurse, operating room nurse, family nurse practitioner, nurse anesthetist.

**Salary Range:** Registered Nurse \$53K-70K; Advanced Practice Nurse \$102K-170K (dependent on specialty and shift work).

**Typical Work Schedule:** Depends on work area and specialization.

## Optometry

Name of Career Field: Optometry (technician/doctor)

Description: We are the primary eye care providers for active duty and dependents. Our technicians are highly trained assets that perform multiple screening tests on all patients as well as additional diagnostic testing and fitting/dispensing glasses for those who require it. As optometrists we evaluate vision and ocular health, prescribe glasses and contacts as needed as well as diagnose and treat ocular disease and injuries. We work closely with ophthalmology in co-management or surgical or advanced disease cases.

Education Requirements: Technician: On the job training/CPOT

Optometrist: Bachelors, Doctorate of Optometry

Certification Requirements: Depends on practice

Experience Recommended: Depends on practice

Jobs related to this field: optometry/ophthalmology

Salary Range: Technician: \$22-\$47K/year

Optometrist: \$80-\$120K/year

Typical Work Schedule: 8-5 M-F, Occasional Saturday Hours

Will provide Job Shadowing: **No**

Military Only  Civilian Only  Both



# Pharmacy

## **Name of Career Field: Pharmacist and Pharmacy Technician**

**Description:** The field of pharmacy is composed of both pharmacists and pharmacy technicians. In an outpatient setting such as the pharmacy at Grand Forks AFB, the pharmacist is responsible for directing and managing the pharmacy operations and supervising pharmacy technicians. Pharmacists' primary duties are to provide patient counseling, ensure accurate preparation/dispensing of all medications, assess drug-drug and drug-disease interactions, and to oversee the preparation of any compound medications. Pharmacists also safeguard all controlled medications and ensure the compliance of federal and Department of Defense (DoD) regulations.

Pharmacy technicians are responsible for the technical duties related to the operation of the Pharmacy. Duties include but are not limited to: interpreting and entering prescription, preparing medications, assessing allergies, determining if the patient has any questions for the pharmacist, ensuring each patient understands prescription directions prior to dispensing, maintaining Pharmacy inventory, , and inspecting for expired/out of date medications.

### **Education Requirements:**

Pharmacists: Graduate from an accredited school of pharmacy recognized by the American Council of Pharmaceutical Education (ACPE) with a Doctorate of Pharmacy (PharmD) or Bachelor of Pharmacy degree (was the entry level degree prior to introduction of PharmD).

Pharmacy Technician: High School Graduate or GED equivalent

### **Certification/licensure Requirements:**

Pharmacists: To be eligible for state licensure, one must pass the North American Pharmacist Licensure Exam (NAPLEX) and state specific pharmacy law examination.

Pharmacy Technicians: Certification is not required upon entering the career field in the Air Force. Once selected for the career field, a person would obtain required certification by the Pharmacy Technician Certification Board (PTCB) after successful completion of a 15 week pharmacy-specific training course.

**Experience Recommended:** None required for technicians.

**Salary Range:** Pharmacists: Enter Air Force as O-3 (Captain). Salary is \$48,320/yr plus an allowance for food & housing which depends on location and dependent status. Pharmacist are also eligible for a special pay bonus of \$15,000/yr.

Pharmacy Technicians: Enter Air Force as an E-1 to E-3 Pay Grade. Salary ranges from approximately \$22.5K - \$26K/yr plus a food & housing allowance if qualify.

**Typical Work Schedule:** Depends on base. Some facilities are 24-hour coverage.

**Military Only**  **Civilian Only**  **Both**

# Physical Therapy



**Name of Career Field:** Physical Therapist, 42B

**Description:** Physical Therapists rehabilitate all musculoskeletal injuries and impairments to help patients return to their desired job, activity, or sport. We do this by thoroughly evaluating our patients, diagnosing the problem, and carefully designing a plan of care, which will incorporate therapeutic exercise, joint mobilizations/manipulations, flexibility and balance training, and other tools such as Trigger Point Dry Needling, ordering X-Rays/MRIs, and providing anti-inflammatory injections.

**Education Requirements:** Bachelor's Degree (any field) with PT school pre-requisites followed by Doctor of Physical Therapy (DPT) degree from an accredited university.

**Certification Requirements:** Following a 4 year Bachelor's Degree and a 3 year Doctor of Physical Therapy Degree, a newly graduated physical therapist must take and pass the National Physical Therapy Exam. Once the individual has passed the NPTE, he/she can practice in any field of their choosing. After practicing for 2-3 years, a physical therapist can further specialize in orthopedics, sports, pediatrics, geriatrics, neurology, and women's health. These degrees consist of 1-2 years of additional academic work.

**Experience Recommended:** Applicants must complete all required prerequisites for physical therapy school. Prerequisites differ slightly for each university, so an interested applicant should research the school they are interested in prior to enrolling in college to better understand the courses they should take.

**Jobs related to this field:** Other related rehabilitation positions are Occupational Therapy (civilian and military) and Speech Therapy (civilian only).

**Salary Range:** Annual salary is based on an individual's rank and time in service for military positions. Average civilian physical therapist salary is \$84,000 (low: \$57,000, high: \$116,000). Military salary is comparable.

**Typical Work Schedule:** Monday through Friday, 7:30am to 4:30pm

**Will provide Job Shadowing:** Yes  No  (See us after!)

**Military Only**  **Civilian Only**  **Both**

## Air Force Physician

**Name of Career Field:** Medical Corps / Physician

**Description:** Upon entering this career field your primary duty will be caring for Soldiers, Sailors, Airmen and Marines, Veterans as well as family members. Being a physician in the Air Force allows freedom from bureaucracy and paperwork of private practice and allows you to focus on practicing medicine. The Air Force has state-of-the-art medical facilities all over the world that you can be a part of.

**Education Requirements:** Medical degree (MD or DO). There are numerous financial programs that range from residency supplement pay to medical school reimbursement.

**Jobs related to this field:** Physician's Assistant, Nurse Practitioner.

**Salary Range:** Pay varies by specialty. Most specialties qualify for special pays or yearly bonuses. Some receive sign-on bonuses.

**Typical Work Schedule:** Schedule varies by specialty.

**Will provide Job Shadowing:** Yes                      No



# Public Health

**Name of Career Field:** Public Health

**Description:** Creating healthy communities through education, research and promotion of healthy lifestyles. Focuses on health promotion and disease/injury prevention. Analyze and develop programs that protect the health of individuals, families, and communities in the United States and abroad with a key role in emergency preparedness and response.

**Education Requirements:** Can earn over 15 degrees from a school or program of public health accredited by the Council on Education for Public Health (CEPH), including undergraduate, master's and doctoral degrees.

**Certification Requirements:** Hearing Conservation certification to conduct hearing tests

**Experience Recommended:** most jobs will require some experience in the field

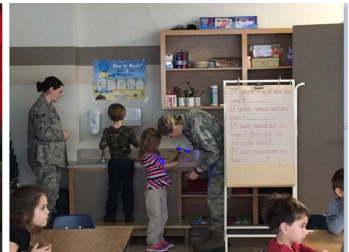
**Jobs related to this field:** Food/Health Inspector; Epidemiologists; Veterinarians; Community Health workers; Environmental Scientists and Specialists; Health Educators; working with OSHA, FDA, USDA, CDC, Public Nursing, Disaster Preparedness; Vector Surveillance

**Salary Range:** depends on position can range from \$50,000 to \$74,120 annually with predictions of growth in future

**Typical Work Schedule:** typically 8 hr work day; longer hours and weekends possible if a disaster occurs

**Will provide Job Shadowing:** Yes  but will need to complete HIPAA training

**Military Only**  **Civilian Only**  **Both**



# Radiology

**Name of Career Field:** Diagnostic Imaging Technologist (Radiology)

**Description:** We perform x-rays, CAT Scans, MRIs, Ultrasounds

**Education Requirements:** 1-year of x-ray school. Additional training for specialties

**Certification Requirements:** Certification through the American Registry of Radiologic Technologists (ARRT) upon completion of training

**Experience Recommended:** No prior experience required

**Jobs related to this field:** X-ray tech, Ultrasound tech, MRI tech, Nuclear Medicine tech, Mammography tech, CAT scan tech

**Salary Range:** \$50,000 - \$100,000/year depending on specialty and experience

**Typical Work Schedule:** Varies depending on location. Shift work/on-call can be required

**Will provide Job Shadowing:** Yes  No

**Military Only**  **Civilian Only**  **Both**





## RPA Pilot

**Name of Career Field:** RPA (Remotely Piloted Aircraft) Pilot, 18X

**Description:** RPA Pilots are currently assigned to fly one of three types of RPA:

RQ-4 Global Hawk: High altitude ISR (Intelligence, Surveillance, Reconnaissance)

MQ-1 Predator: Armed reconnaissance, airborne surveillance, and target acquisition

MQ-9 Reaper: Intelligence collection in support of strike, coordination, and reconnaissance missions

**Education Requirements:** Bachelor's Degree (Any field)

**Certification Requirements:** Training consists of three months of IFS (Initial Flight Screening) in which students will fly a small single engine aircraft (Diamond DA20) and learn the basics of aviation. Following IFS, students will attend three months of RIQ (RPA Instrument Qualification) where they will learn how to fly without outside visibility in a T-6 Texan II Simulator. For the final phase of training, RPA pilots will attend a Formal Training Unit where they will learn to fly their specific RPA, flying both simulated and real world missions.

**Experience Recommended:** No prior flying experience is required nor specifically recommend. Obtaining your private pilot's license before training begins will allow you to bypass IFS.

**Jobs related to this field:** Other Rated (Flying) positions:

Pilot: Traditional, in-air flying

CSO (Combat Systems Operator): Navigator

ABM (Air Battle Manager): Airspace command and control, Combat Air Traffic Control

Sensor Operator (Enlisted Position): Operate RPA mission equipment

**Salary Range:** Based on rank and time in service, starting salary ~\$50,000 per year

**Typical Work Schedule:** Shift work, 8+ hours per day

**Military Only**  **Civilian Only**  **Both**

## US Customs & Border Protection

**Name of Career Field:** Aviation

**Description:** Federal Agent/Pilot with Customs and Border Protection

**Education Requirements:** High School Diploma; College desired but not required.

**Certification Requirements:** FAA Commercial Pilot's License with Instrument Rating

**Experience Recommended:** Current FAA Commercial Pilot Certification 1500 flight hours total; 100 hours within the last 12 months.

**Jobs related to this field:** All jobs in the law enforcement and aircraft pilot capacity.

**Salary Range:** \$57,982.00 to \$82,642.00 / Per Year; promotion up to GS-13

**Typical Work Schedule:** various, depending on current mission.

**Will provide Job Shadowing:** Yes

**Military and/or Civilian experience accepted.**





## Weather Specialist

**Name of Career Field:** Weather Specialist / Weather Officer / Special Operations Weather Team

**Description:** Weather Specialist: Countless factors can affect the outcome of a mission, including something as simple as the weather. As a Weather Specialist, you'll predict weather patterns and prepare forecasts, as well as brief pilots and commanders on weather conditions.

Weather Officer: Weather can be our greatest ally or strongest adversary. That's why accurate weather forecasting plays such an integral part in the success and safety of our missions. These duties primarily involve integrating current and forecasted atmospheric and space weather conditions into operations and planning. Weather Officers also develop, direct and coordinate meteorological weather studies and research.

SOWT - As a Special Operations Weather Team (SOWT) Specialist, you'll be a battlefield Airman who works hand in hand with other special operations units providing the information they need to complete their missions. Using high-tech atmospheric instruments, you'll retrieve data from radar and weather satellites and relay it to teams as they carry out high-risk missions. You'll receive extensive combat and survival skills and deploy around the world in a variety of climatic conditions. As a SOWT Specialist, you'll always be ready at a moment's notice to carry out the next mission.

**Education Requirements:** Weather Specialist/SOWT – High School Graduate or GED equivalent

Weather Officer – Bachelors of Science in Meteorology\*

**Certification Requirements:** Weather Specialist – After Basic Military Training (BMT) you will attend approximately 8 months of training at Keesler AFB, MS.

SOWT – In addition to the requirements for Weather Specialist, you will be entered in an intensive training pipeline along with other Special Operations Candidates. This training will test you beyond anything you have ever experienced.

**Jobs related to this field:** Weather Forecaster / Meteorologist



**Salary Range:** Salaries vary – see Military Pay Charts.

**Typical Work Schedule:** Schedules vary based on assignment.

**Will provide Job Shadowing:** Yes  No

**Military Only**  **Civilian Only**  **Both**

